

7.5..5mm WTB (TJC2A) Series Connector:



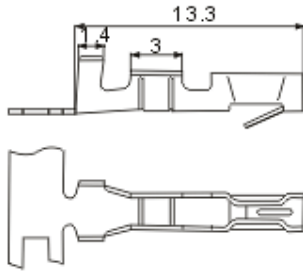
SPECIFICATIONS

Pitch: 7.5-5.0-5.0...5.0 mm
 Useable Wire Range: AWG 26# ~ 20#
 Current Rating: 5A, AC, DC
 Voltage Rating: 250V, AC, DC
 Operating Temperature: -25°C ~ +85°C
 Relative Humidity: 93%, +40°C
 Dielectric Withstanding: 1500V AC/minute
 Contact Resistance: ≤ 10 mΩ/Contact
 Insulator Resistance: ≥ 1000 MΩ at 100V

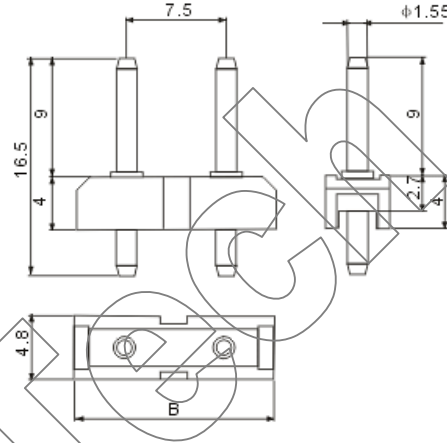
Material:
 Base: Nylon66/ Nylon6T, UL94V-0
 Contact Pin: Brass
 Housing: Nylon66, UL94V-0
 Terminal: Phosphor Bronze

ROHS Compliance

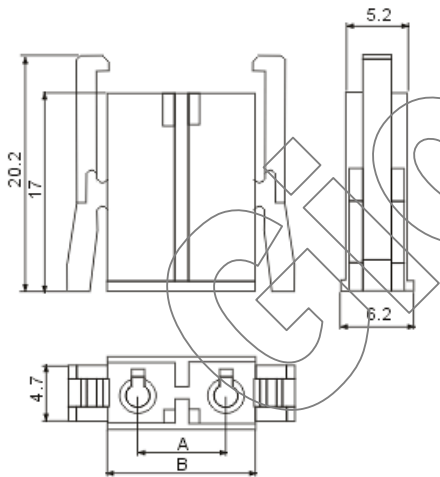
TJC2A-T



TJC2A-XA



TJC2A-XY



Circuit	Part No.		Dimensions (mm)	
			A	B
2	TJC2A-2Y	TJC2A-2A	7.50	12.50
3	TJC2A-3Y	TJC2A-3A	12.50	17.50
4	TJC2A-4Y	TJC2A-4A	17.50	22.50
5	TJC2A-5Y	TJC2A-5A	22.50	27.50
6	TJC2A-6Y	TJC2A-6A	27.50	32.50