

0.4mm BTB (BB0.4A-2xXAM) Connector:

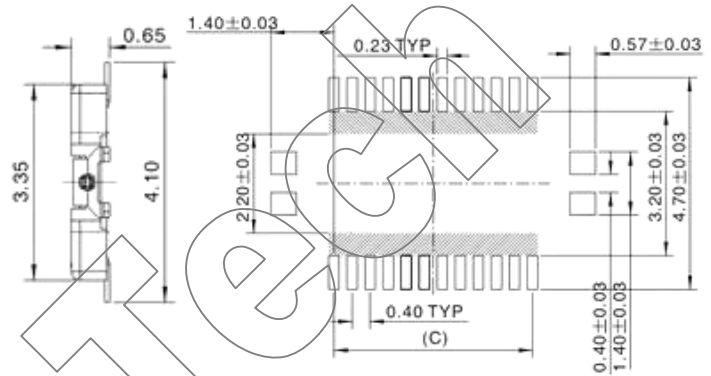
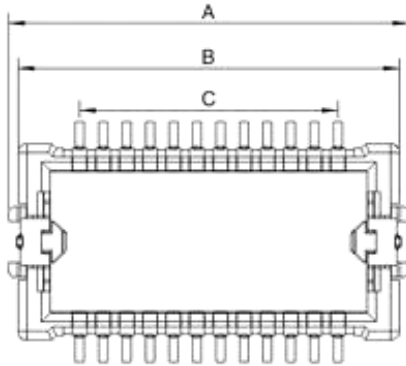


SPECIFICATIONS

Pitch:	0.4 mm
Number of contacts:	24, 30, 40, 50, 60, 70 pins
Current Rating:	0.5A, AC, DC
Voltage Rating:	100V, AC, DC
Operating Temperature:	-40°C ~+105°C
Relative Humidity:	93%, +40°C
Dielectric Withstanding:	250V AC/minute
Contact Resistance:	≤ 30 mΩ/Contact
Insulator Resistance:	≥ 500 MΩ at 100V
Material:	
Base:	Nylon6T/LCP, UL94V-0
Contact Pin:	Phosphor Bronze

ROHS Compliance

BB0.4A-2xXAM



Recommended PCB Layout

Part No.	Dimensions (mm)		
	A	B	C
BB0.4A-2x12AM	6.80	6.54	4.40
BB0.4A-2x15AM	8.00	7.74	5.60
BB0.4A-2x20AM	10.00	9.74	7.60
BB0.4A-2x25AM	12.00	11.74	9.60
BB0.4A-2x30AM	14.00	13.74	11.60
BB0.4A-2x35AM	16.00	15.74	13.60