

0.4mm BTB (BB0.4C-2xXAF) Connector:

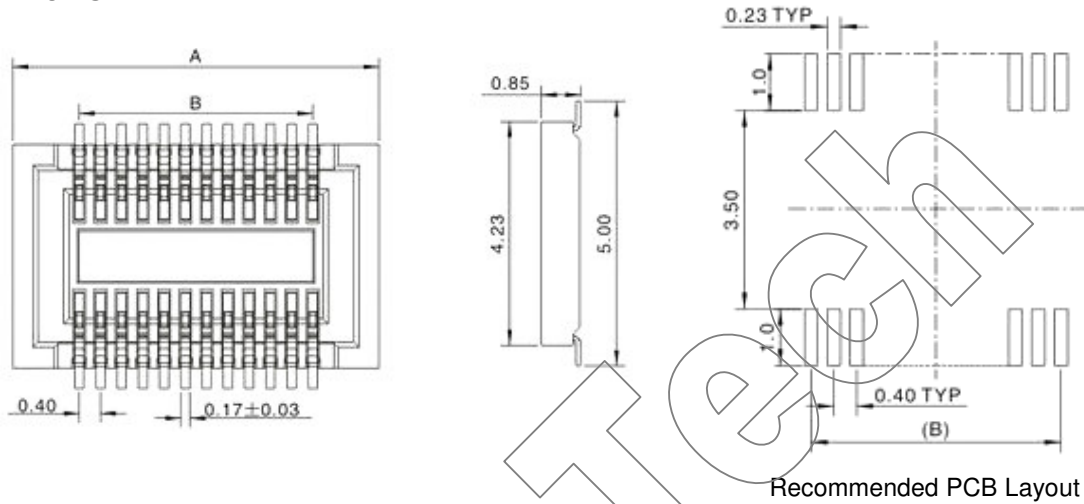


SPECIFICATIONS

Pitch: 0.4 mm
 Number of contacts: 24 pins
 Current Rating: 0.5A, AC, DC
 Voltage Rating: 100V, AC, DC
 Operating Temperature: -40°C ~+105°C
 Relative Humidity: 93%, +40°C
 Dielectric Withstanding: 250V AC/minute
 Contact Resistance: ≤ 30 mΩ/Contact
 Insulator Resistance: ≥ 500 MΩ at 100V
 Material:
 Base: Nylon6T/LCP, UL94V-0
 Contact Pin: Phosphor Bronze

ROHS Compliance

BB0.4C-2xXAF



Part No.	Dimensions (mm)	
	A	B
BB0.4C-2x12AF	6.90	4.40