

**0.5mm BTB (BB0.5-2xXAF) Connector:**

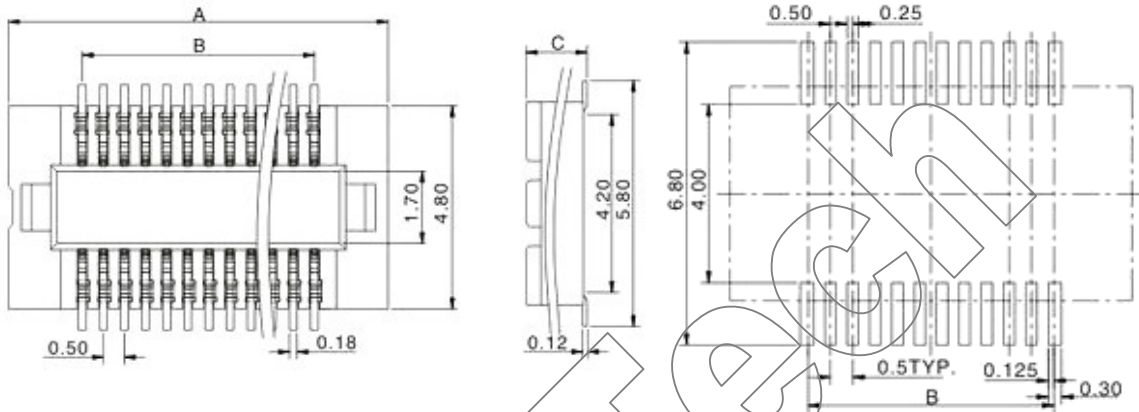


**SPECIFICATIONS**

Pitch:	0.5 mm
Number of contacts:	24, 30, 40, 60 pins
Current Rating:	0.5A, AC, DC
Voltage Rating:	100V, AC, DC
Operating Temperature:	-40°C ~+105°C
Relative Humidity:	93%, +40°C
Dielectric Withstanding:	250V AC/minute
Contact Resistance:	≤ 30 mΩ/Contact
Insulator Resistance:	≥ 500 MΩ at 100V
Material:	
Base:	LCP, UL94V-0
Contact Pin:	Phosphor Bronze

**ROHS Compliance**

**BB0.5-2xXAF**



Recommended PCB Layout