

BH2032H Battery Holder:

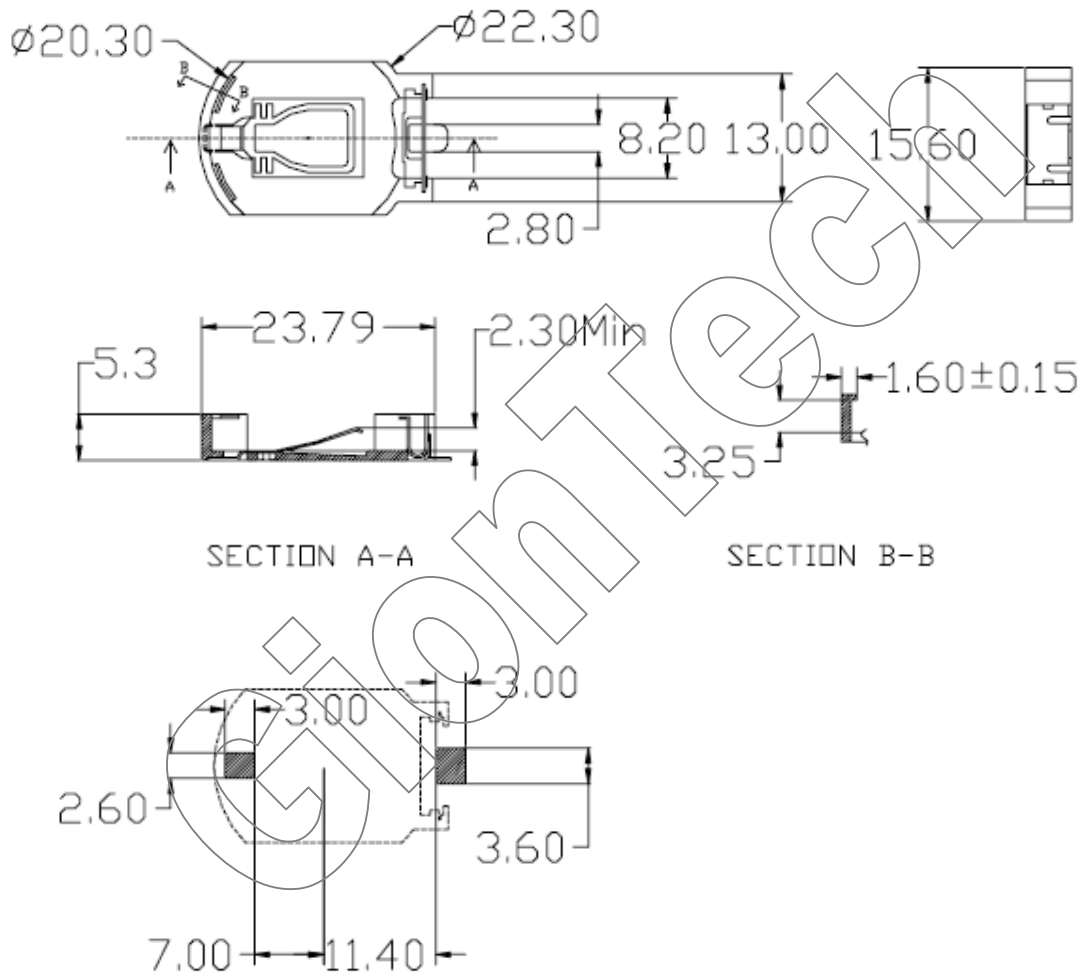


SPECIFICATIONS

Current Rating:	3A, AC, DC
Voltage Rating:	500V, AC, DC
Operating Temperature:	-55 °C ~+105 °C
Relative Humidity:	93%, +40 °C
Dielectric Withstanding:	500V AC/minute
Contact Resistance:	≤ 30 mΩ/Contact
Insulator Resistance:	≥ 1000 MΩ at 100V
Material:	
Base:	PPS/LCP, UL94V-0
Contact Pin:	Phosphor Bronze
Contact Plating:	Au or Sn Over 50u" Ni

ROHS Compliance

BH2032H



Recommended PCB layout