

DC Jack (DCJ-11T-1.65P/2.0P/2.35P/2.5P):

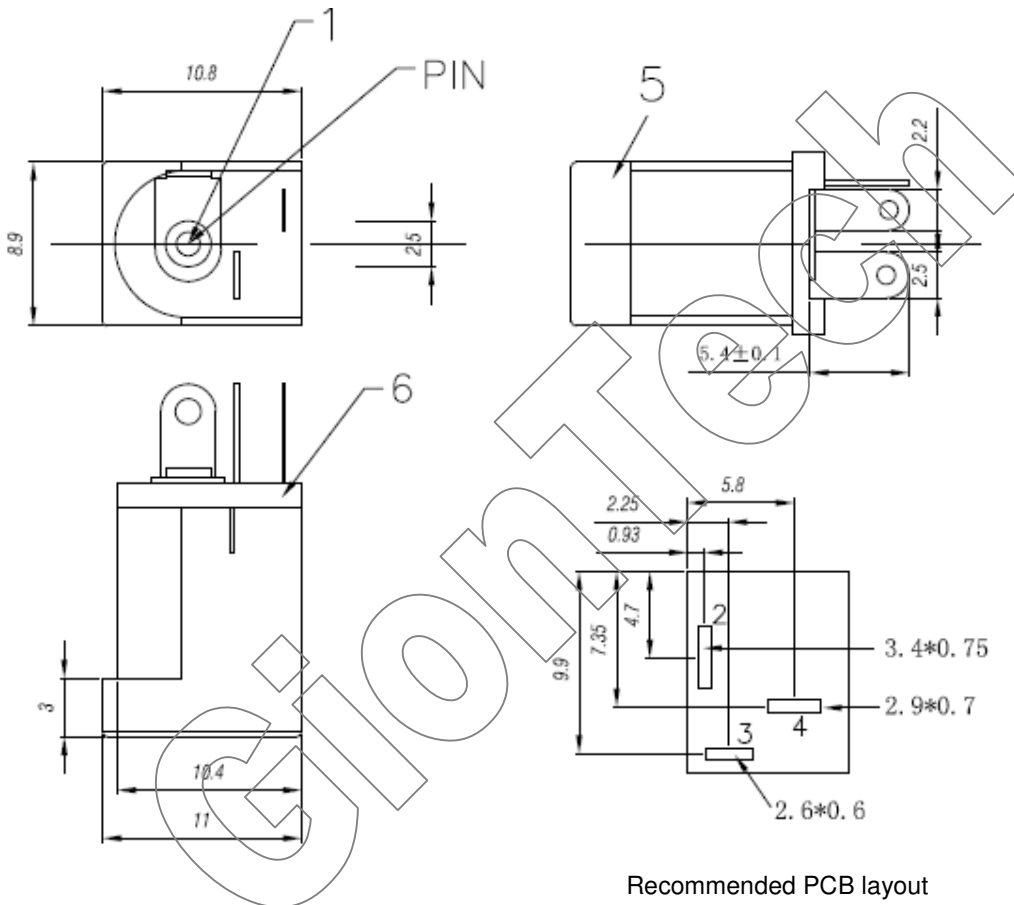


SPECIFICATIONS

Power Rating:	5A/30V DC Max.
Operating Temperature:	-25°C ~+85°C
Relative Humidity:	93%, +40°C
Dielectric Withstanding:	500V AC/minute
Contact Resistance:	≤ 30 mΩ/Contact
Insulator Resistance:	≥ 100 MΩ at 500V
Action Force:	3N-30N
Life Time:	5000 times
Material:	
Base:	PBT/Nylon6T, UL94V-0
Contact Pin:	Brass / Copper Alloy
Contact Plating:	Tin plated

ROHS Compliance

DCJ-11T-1.65P, DCJ-11T-2.0P, DCJ-11T-2.35P, DCJ-11T-2.5P



Recommended PCB layout

PIN	Ø1.65	Ø2.0	Ø2.35	Ø2.5
APP				

