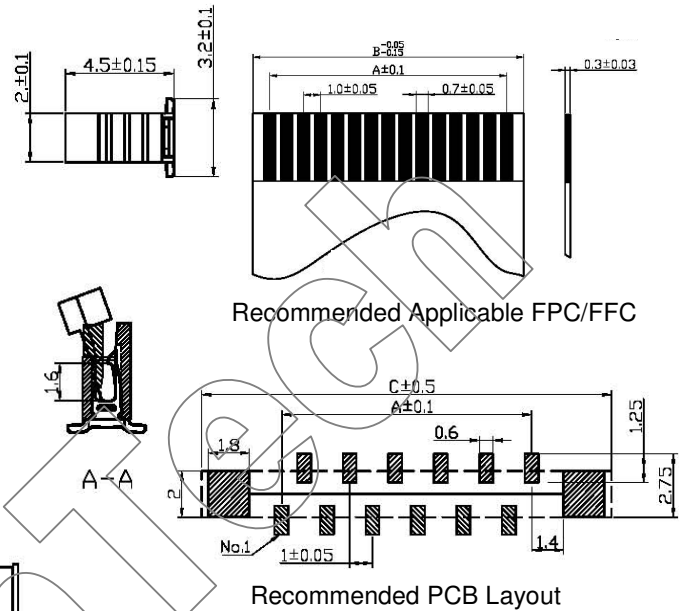
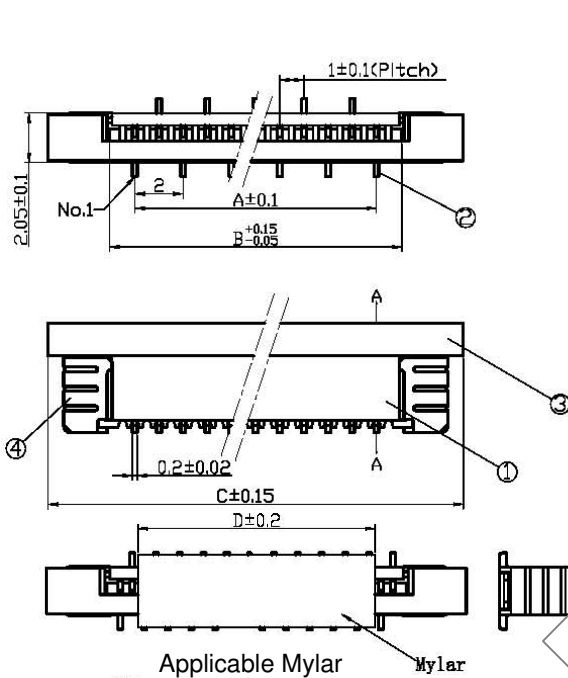


### FPC1.0B-P-SMT-XP: PITCH 1.0mm ZIF FFC/FPC Conn. SMT Vertical P Type (H = 4.5mm)

#### SPECIFICATIONS

Pitch:	1.0 mm
Current Rating:	0.5A, AC, DC
Voltage Rating:	100V, AC, DC
Dielectric Withstanding:	500V AC/minute
Insulator Resistance:	≥ 800 MΩ at 100V
Contact Resistance:	≤ 30 mΩ/Contact
Operating Temperature:	-25°C ~+85°C
Applicable FFC/FPC:	0.3mm ± 0.03mm
Material:	
Base:	Nylon6T/LCP, UL94V-0
Latch:	PPS, UL94V-0
Contact Pin:	Copper Alloy
Contact Plating:	Au or Sn Over 50u" Ni

#### ROHS Compliance



Circuit	Dimensions (mm)			Circuit	Dimensions (mm)		
	A	B	C		A	B	C
2	1.0	3.1	8.2	12	11.0	13.1	18.2
3	2.0	4.1	9.2	13	12.0	14.1	19.2
4	3.0	5.1	10.2	14	13.0	15.1	20.2
5	4.0	6.1	11.2	15	14.0	16.1	21.2
6	5.0	7.1	12.2	16	15.0	17.1	22.2
7	6.0	8.1	13.2	17	16.0	18.1	23.2
8	7.0	9.1	14.2	18	17.0	19.1	24.2
9	8.0	10.1	15.2	19	18.0	20.1	25.2
10	9.0	11.1	16.2	20	19.0	21.1	26.2
11	10.0	12.1	17.2				