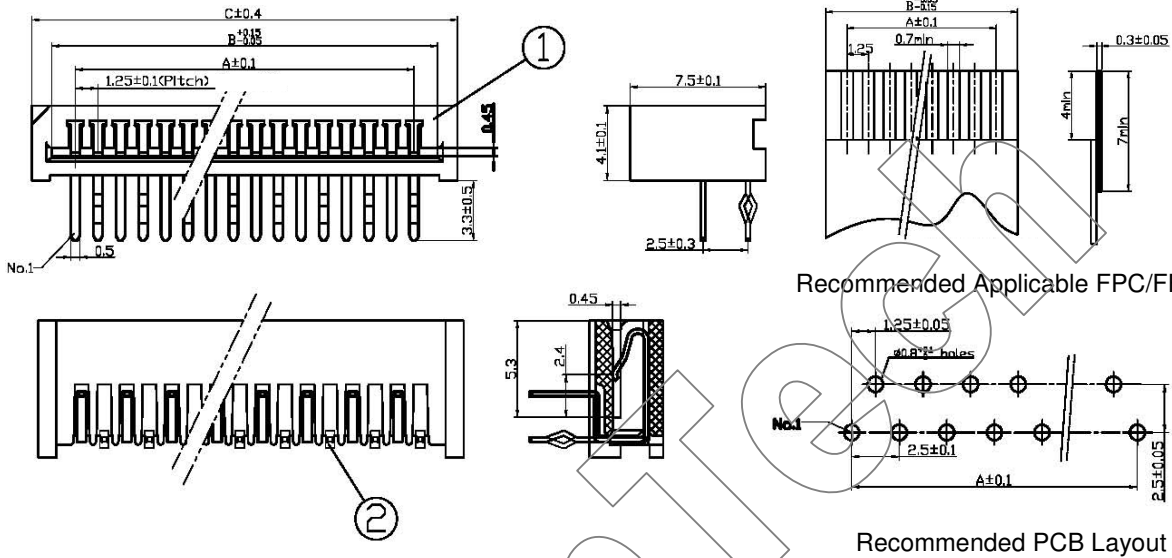


**FPC1.25S-AP-TH-XPW**: PITCH 1.25mm NON ZIF FFC/FPC CONN. TH R/A T/C P Type

**SPECIFICATIONS**

Pitch: 1.25 mm  
 Current Rating: 0.5A, AC, DC  
 Voltage Rating: 200V, AC, DC  
 Dielectric Withstanding: 500V AC/minute  
 Insulator Resistance:  $\geq 800 \text{ M}\Omega$  at 100V  
 Contact Resistance:  $\leq 30 \text{ m}\Omega/\text{Contact}$   
 Operating Temperature:  $-25^\circ\text{C} \sim +85^\circ\text{C}$   
 Applicable FFC/FPC:  $0.3\text{mm} \pm 0.03\text{mm}$   
 Material:  
 Base: Nylon6T/LCP, UL94V-0  
 Contact Pin: Copper Alloy  
 Contact Plating: Au or Sn Over 50u" Ni

**ROHS Compliance**



Circuit	Dimensions (mm)			Circuit	Dimensions (mm)			Circuit	Dimensions (mm)		
	A	B	C		A	B	C		A	B	C
4	3.75	6.35	8.55	19	22.50	25.10	27.30	34	41.25	43.85	46.05
5	5.00	7.60	9.80	20	23.75	26.35	28.55	35	42.50	45.10	47.30
6	6.25	8.85	11.05	21	25.00	27.60	29.80	36	43.75	46.35	48.55
7	7.50	10.10	12.30	22	26.25	28.85	31.05	37	45.00	47.60	49.80
8	8.75	11.35	13.55	23	27.5	30.10	32.30	38	46.25	48.85	51.05
9	10.00	12.60	14.80	24	28.75	31.35	33.55	39	47.50	50.10	52.30
10	11.25	13.85	16.05	25	30.00	32.60	34.80	40	48.75	51.35	53.55
11	12.50	15.10	17.30	26	31.25	33.85	36.05				
12	13.75	16.35	18.55	27	32.50	35.10	37.30				
13	15.00	17.60	19.80	28	23.75	36.35	38.55				
14	16.25	18.85	21.05	29	35.00	37.60	39.80				
15	17.50	20.10	22.03	30	36.25	38.85	41.05				
16	18.75	21.35	23.55	31	37.50	40.10	42.30				
17	20.00	22.60	24.80	32	38.75	41.35	43.55				
18	21.50	23.85	26.05	33	40.00	42.60	44.80				