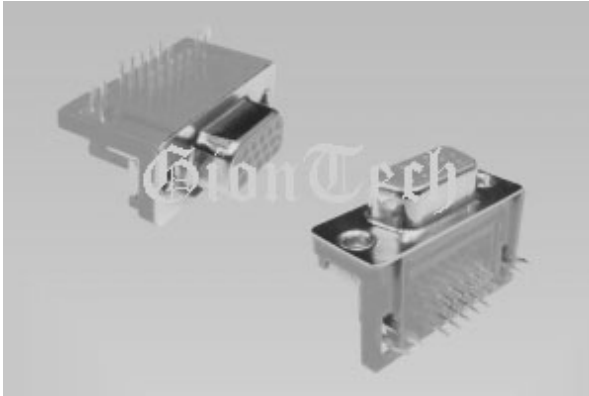


Triple Row, Female, R/A, DIP Type D-SUB:

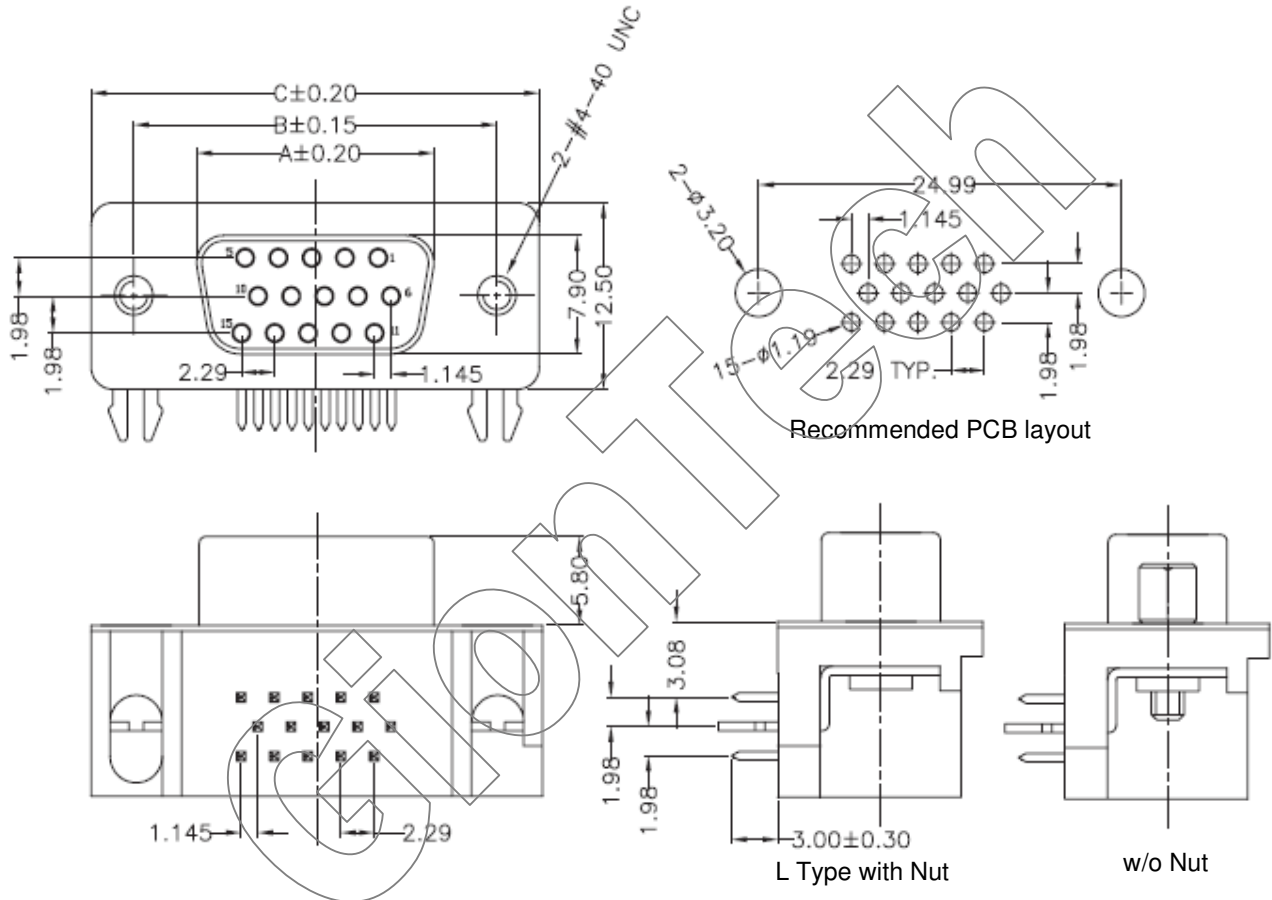


SPECIFICATIONS

Power Rating:	5.0A/125V AC, DC
Operating Temperature:	-55°C ~+105°C
Relative Humidity:	93%, +40°C
Dielectric Withstanding:	1000V AC/minute
Contact Resistance:	≤ 10 mΩ/Contact
Insulator Resistance:	≥ 1000 MΩ at 500V
Material:	
Insulator:	PBT + 30% GF, UL94V-0
Contact Pin:	Copper Alloy
Shell:	Steel, Ni/Tin Plated
Contact Plating:	Selective Au plated Over 50u" Ni on contact pin

ROHS Compliance

**HDR-9PF-XA, HDR-15PF-XA, HDR-25PF-XA, HDR-37PF-XA,
HDR-9PF-XAL, HDR-15PF-XAL, HDR-25PF-XAL, HDR-37PF-XAL**



Circuit	Part No. (w/o Locking)	Part No. (with Locking)	Dimensions (mm)						Colour Code (X)	Colour
			A	B	C	D	E	F		
9	HDR-9PF-1A	HDR-9PF-1AL	16.35	25.00	30.80	16.66	15.05	18.80	1	Black
15	HDR-15PF-1A	HDR-15PF-1AL	24.70	33.30	39.20	25.05	23.65	26.90	2	White
25	HDR-25PF-1A	HDR-25PF-1AL	38.40	47.05	53.05	38.75	37.10	40.40	3	Green
37	HDR-37PF-1A	HDR-37PF-1AL	54.80	63.50	69.40	55.00	53.30	59.80	4	Blue
									5	Yellow