

**Multi-Function Switch (SMT Type)**

**MSG-06/86S-200H**




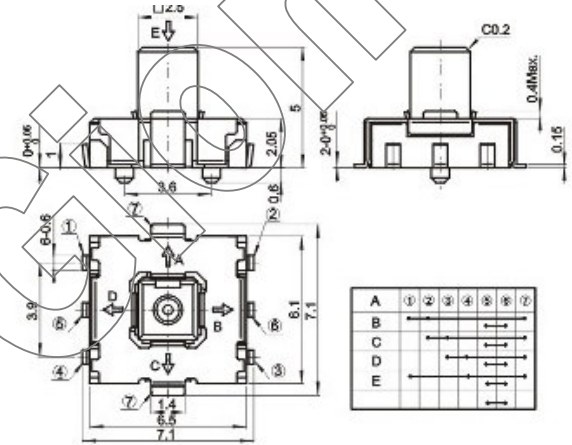
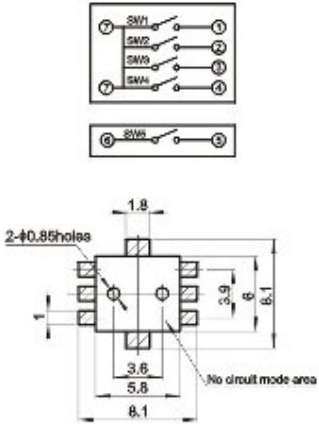
MS – Multi-Function Switch  
 G - G Series  
 06 / 86 – Type  
 S - SMT Type  
 XXX - Action Force (gram)  
 H - With Post (Optional)

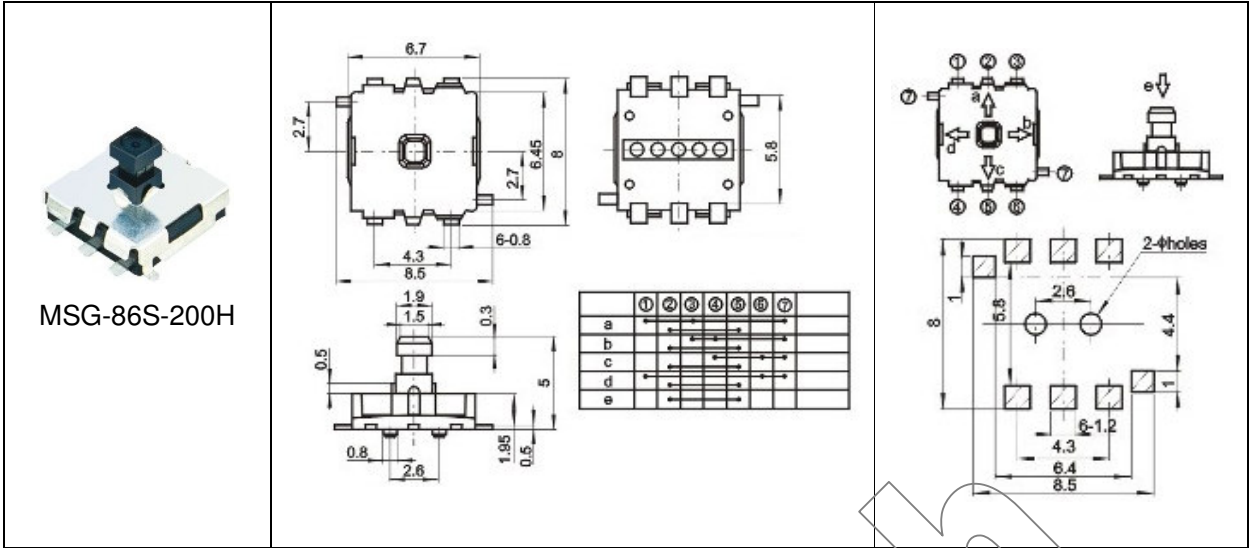
**SPECIFICATIONS**

Mechanical Life: 250,000 cycles  
 Operating Force: 4-Direction - 70g±30g  
 Center - 200g±50g  
 Rating: 50mA 15V DC  
 Dielectric withstanding: 250V AC/minute  
 Insulator resistance: ≥ 100 MΩ at 100V  
 Contact resistance: ≤ 100 mΩ/Contact  
 Operating temperature: -25°C ~ +70°C  
 Storage temperature: -40°C ~ +85°C

**Material**

Base: PA6T/LCP, UL94V-0  
 Contact material: Phosphor Bronze  
 Contact Spring Plating: Stainless Steel/Silver Plating

Physical Picture	Outline Drawing	Circuit / Footprint																																								
 <p>MSG-06S-200H</p>	 <table border="1" data-bbox="850 1566 1037 1692"> <tr> <td>A</td> <td>①</td> <td>②</td> <td>③</td> <td>④</td> <td>⑤</td> <td>⑥</td> <td>⑦</td> </tr> <tr> <td>B</td> <td>→</td> <td>→</td> <td>→</td> <td>→</td> <td>→</td> <td>→</td> <td>→</td> </tr> <tr> <td>C</td> <td>→</td> <td>→</td> <td>→</td> <td>→</td> <td>→</td> <td>→</td> <td>→</td> </tr> <tr> <td>D</td> <td>→</td> <td>→</td> <td>→</td> <td>→</td> <td>→</td> <td>→</td> <td>→</td> </tr> <tr> <td>E</td> <td>→</td> <td>→</td> <td>→</td> <td>→</td> <td>→</td> <td>→</td> <td>→</td> </tr> </table>	A	①	②	③	④	⑤	⑥	⑦	B	→	→	→	→	→	→	→	C	→	→	→	→	→	→	→	D	→	→	→	→	→	→	→	E	→	→	→	→	→	→	→	 <p>2-∅0.85holes</p> <p>No circuit mode area</p>
A	①	②	③	④	⑤	⑥	⑦																																			
B	→	→	→	→	→	→	→																																			
C	→	→	→	→	→	→	→																																			
D	→	→	→	→	→	→	→																																			
E	→	→	→	→	→	→	→																																			



GionTech