

**Multi-Function Switch (SMT Type)**

MSG-09/10S-320/H

MS – Multi-Function Switch  
 G - G Series  
 09 / 10 – Type  
 S - SMT Type  
 XXX - Action Force (gram)  
 H - With Post (Optional)


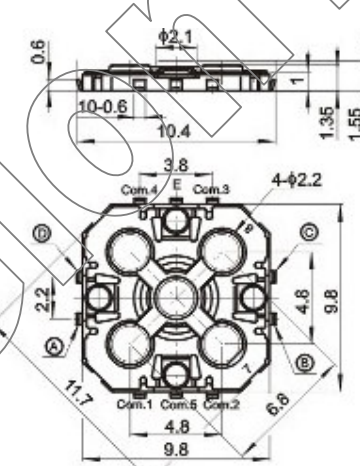
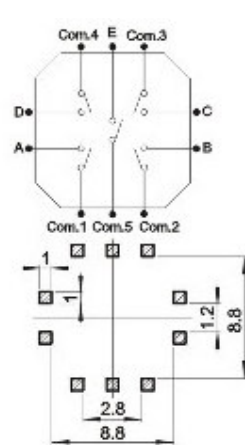


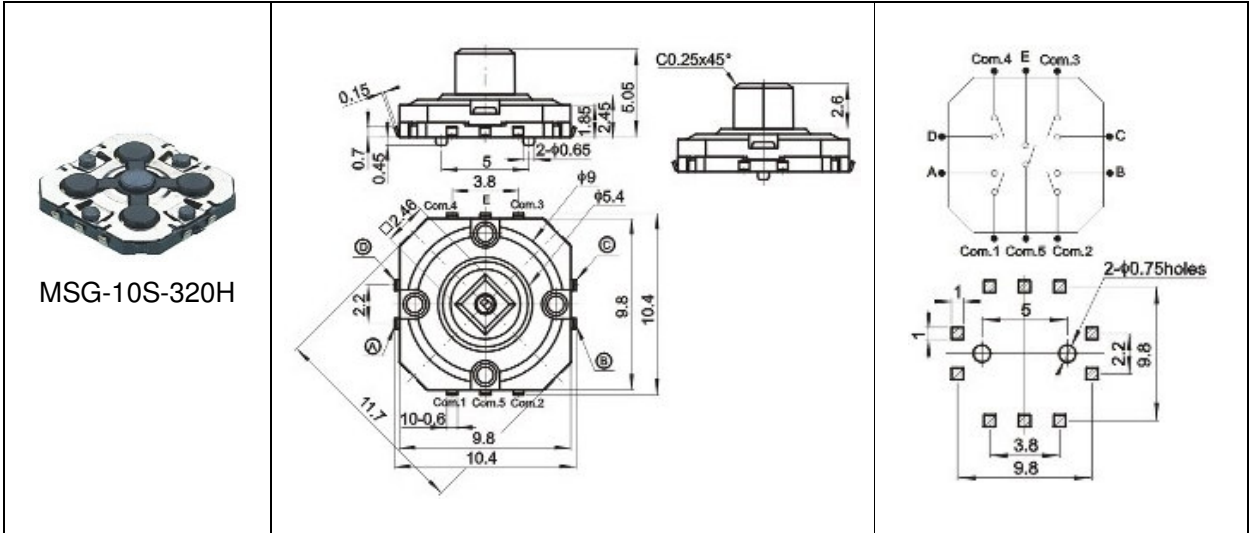
**SPECIFICATIONS**

Mechanical Life:	200,000 cycles
Operating Force:	4-Direction - 160g±60g Center - 320g±100g
Rating:	50mA 15V DC
Dielectric withstanding:	250V AC/minute
Insulator resistance:	≥ 100 MΩ at 100V
Contact resistance:	≤ 100 mΩ/Contact
Operating temperature:	-30°C ~ +85°C
Storage temperature:	-40°C ~ +85°C

**Material**

Base:	PA6T/LCP, UL94V-0
Contact material:	Phosphor Bronze
Contact Spring Plating:	Stainless Steel/Silver Plating

Physical Picture	Outline Drawing	Circuit / Footprint
 <p>MSG-09S-320</p>		



MSG-10S-320H

GionTech