

Multi-Function Switch (SMT Type)

MSG-81/82S-240H




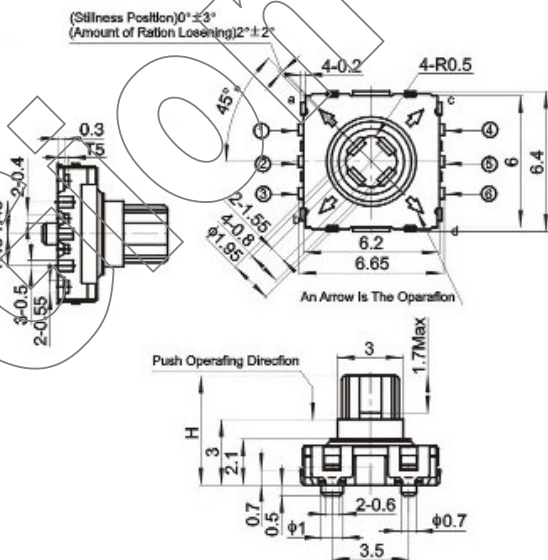
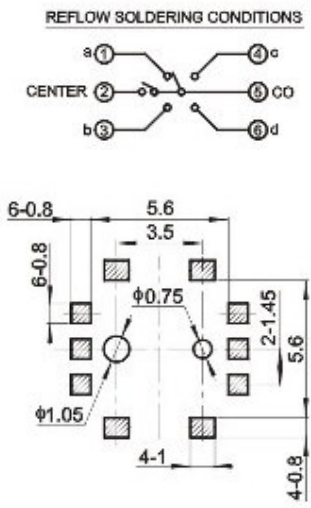
MS – Multi-Function Switch
 G - G Series
 81 / 82 – Type
 S - SMT Type
 XXX - Action Force (gram)
 H - With Post (Optional)

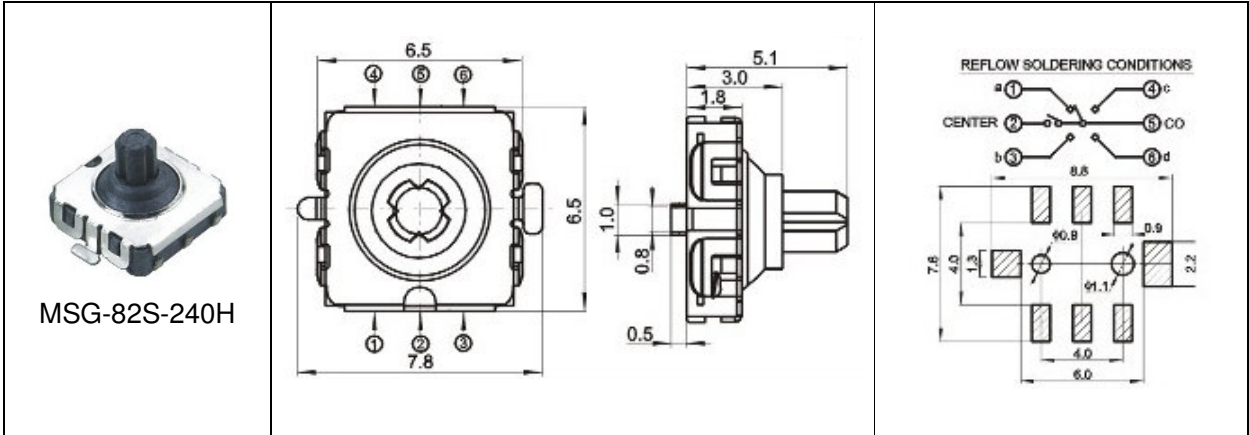
SPECIFICATIONS

Mechanical Life: 100,000 cycles
 Operating Force: 4-Direction - 160g±40g
 Center - 240g±80g
 Rating: 50mA 15V DC
 Dielectric withstanding: 250V AC/minute
 Insulator resistance: ≥ 100 MΩ at 100V
 Contact resistance: ≤ 100 mΩ/Contact
 Operating temperature: -25°C ~ +70°C
 Storage temperature: -40°C ~ +85°C

Material

Base: PA6T/LCP, UL94V-0
 Contact material: Phosphor Bronze
 Contact Spring Plating: Stainless Steel/Silver Plating

Physical Picture	Outline Drawing	Circuit / Footprint
 <p>MSG-81S-240H</p>	 <p>(Stiffness Position)0°±3° (Amount of Ration Loosening)2°±2°</p> <p>45°</p> <p>4-0.2 4-R0.5</p> <p>0.3 1.5</p> <p>1.45 1.45</p> <p>2-0.4</p> <p>3-0.5</p> <p>2-0.55</p> <p>2-1.55</p> <p>2-0.8</p> <p>φ1.95</p> <p>6.4</p> <p>6.2</p> <p>6.65</p> <p>An Arrow Is The Operation</p> <p>Push Operating Direction</p> <p>3</p> <p>1.7Max</p> <p>H</p> <p>3</p> <p>2.1</p> <p>0.7</p> <p>0.5</p> <p>φ1</p> <p>2-0.6</p> <p>φ0.7</p> <p>3.5</p>	<p>REFLOW SOLDERING CONDITIONS</p>  <p>a ① c ④</p> <p>CENTER ② b ③ d ⑥</p> <p>CO ⑤</p> <p>6-0.8</p> <p>5.6</p> <p>3.5</p> <p>6-0.8</p> <p>φ0.75</p> <p>2-1.45</p> <p>5.6</p> <p>φ1.05</p> <p>4-1</p> <p>4-0.8</p>



GionTech