

**Multi-Function Switch (SMT Type)**

**MSG-89/8AT/S-300H**




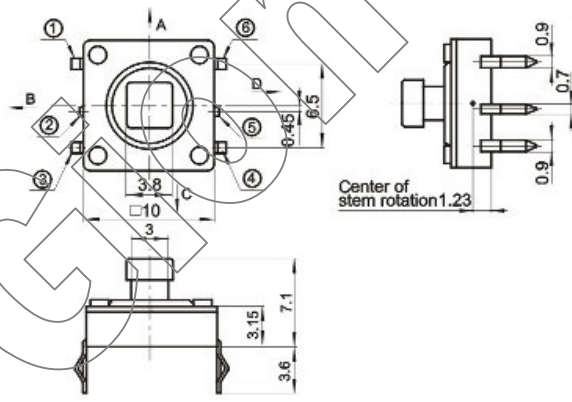
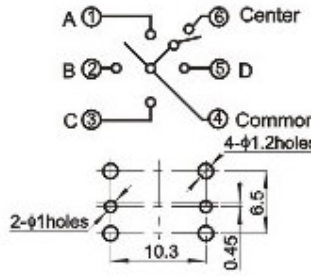
MS – Multi-Function Switch  
 G - G Series  
 89 / 8A – Type  
 S / T – SMT, TH Type  
 XXX - Action Force (gram)  
 H - With Post (Optional)

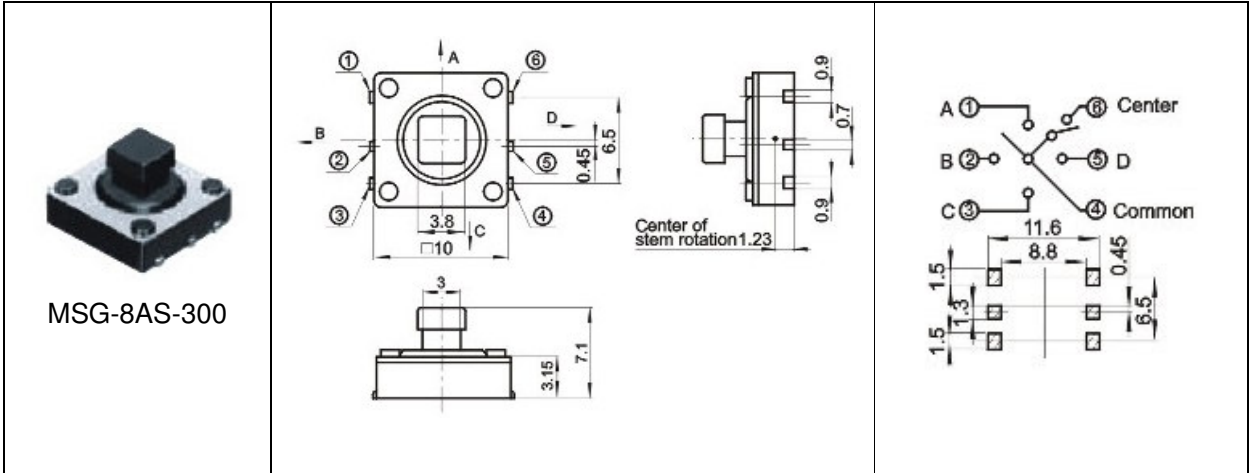
**SPECIFICATIONS**

Mechanical Life: 100,000 cycles  
 Operating Force: 4-Direction - 160g±60g  
 Center - 300g±100g  
 Rating: 50mA 15V DC  
 Dielectric withstanding: 250V AC/minute  
 Insulator resistance: ≥ 100 MΩ at 100V  
 Contact resistance: ≤ 100 mΩ/Contact  
 Operating temperature: -30°C ~ +85°C  
 Storage temperature: -40°C ~ +85°C

**Material**

Base: PBT/PA6T/LCP, UL94V-0  
 Contact material: Phosphor Bronze  
 Contact Spring Plating: Stainless Steel/Silver Plating

Physical Picture	Outline Drawing	Circuit / Footprint
 <p>MSG-89T-300H</p>	 <p>Center of stem rotation 1.23</p>	 <p>A ①              B ②              C ③              ④ Common              ⑤ Center              ⑥ D              4-φ1.2holes              2-φ1holes</p>



GionTech