

Multi-Function Switch (SMT Type)

MSG-8D/11S-300H




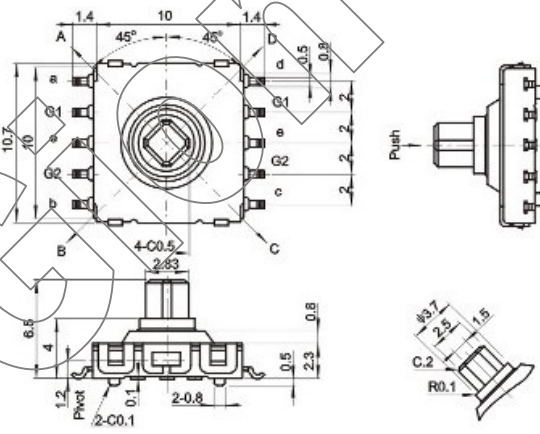
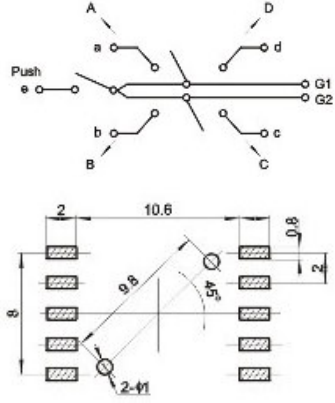
MS – Multi-Function Switch
 G - G Series
 8D / 11 – Type
 S - SMT Type
 XXX - Action Force (gram)
 H - With Post (Optional)

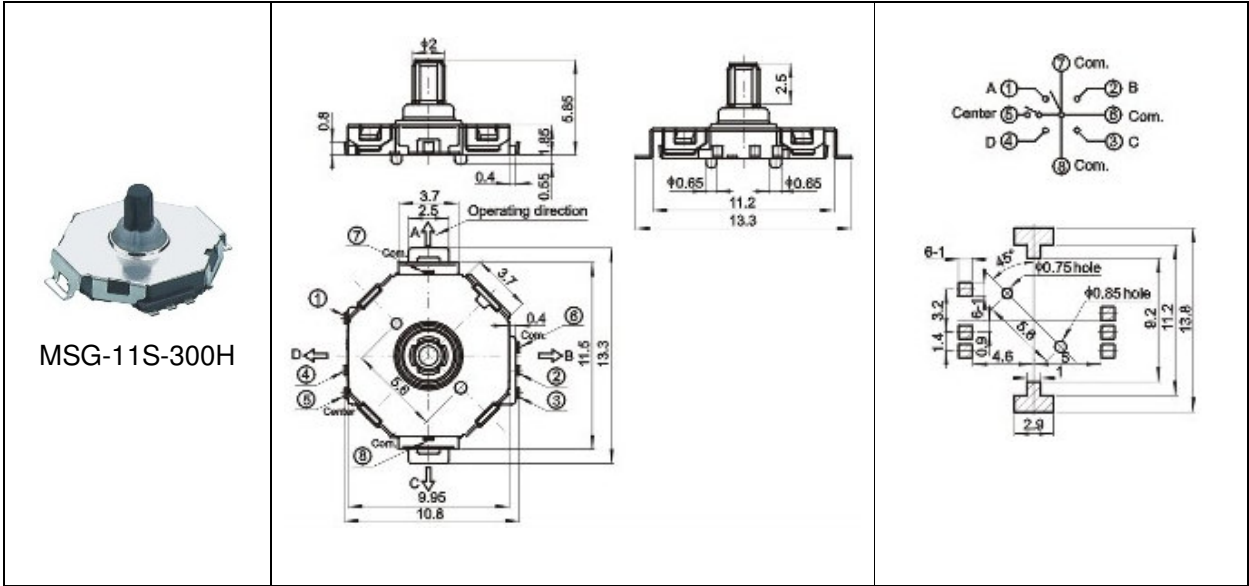
SPECIFICATIONS

Mechanical Life: 100,000 cycles
 Operating Force: 4-Direction - 160g±60g
 Center - 300g±100g
 Rating: 50mA 15V DC
 Dielectric withstanding: 250V AC/minute
 Insulator resistance: ≥ 100 MΩ at 100V
 Contact resistance: ≤ 100 mΩ/Contact
 Operating temperature: -30°C ~ +85°C
 Storage temperature: -40°C ~ +85°C

Material

Base: PA6T/LCP, UL94V-0
 Contact material: Phosphor Bronze
 Contact Spring Plating: Stainless Steel/Silver Plating

Physical Picture	Outline Drawing	Circuit / Footprint
 <p>MSG-8DS-300H</p>		



GionTech