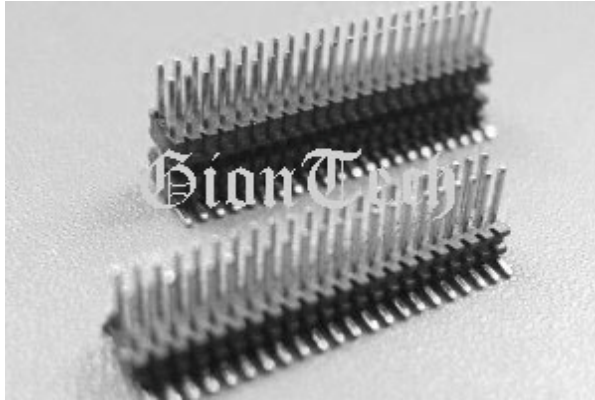


0.8x1.2mm Dual Row Pin Header, Vertical, SMT Type:

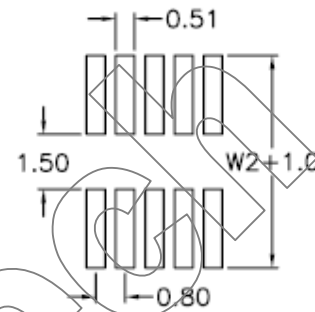
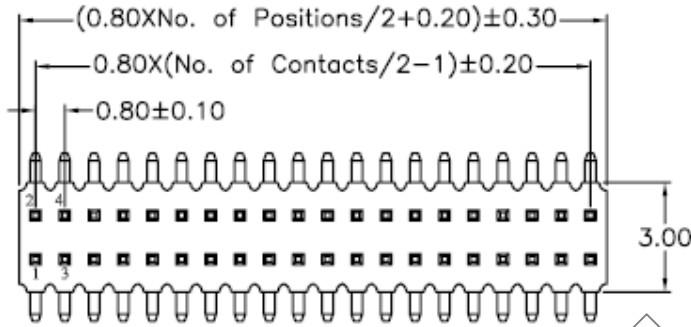


SPECIFICATIONS

Pitch:	0.8 mm
Number of contacts:	4 to 80 pins
Current Rating:	1.0A
Operating Temperature:	-55°C ~+105°C
Relative Humidity:	93%, +40°C
Dielectric Withstanding:	300V AC/minute
Contact Resistance:	≤ 20 mΩ/Contact
Insulator Resistance:	≥ 1000 MΩ at 100V
Soldering Temperature:	230°C, 30-60s max. 260°C, 10s max.
Material:	
Base:	Nylon6T/LCP, UL94V-0
Contact Pin:	Copper Alloy
Contact Plating:	Au or Sn Over 50u" Ni

ROHS Compliance

PH0.8x1.2-2xXAB (B/D/W2) (H=1.35) / PHD0.8x1.2-2xXAB (B/C/D/W2) (H=1.35)



Recommended PCB layout

