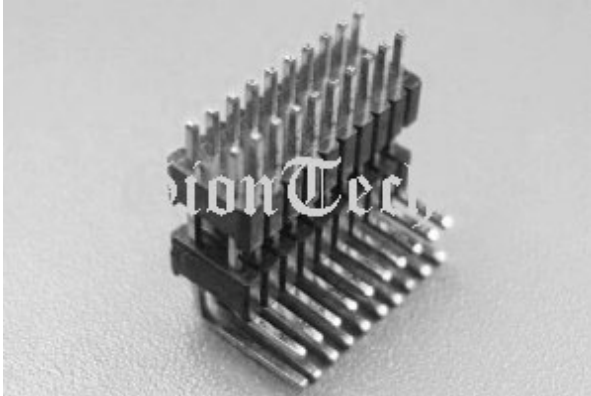


**1.27x2.54mm Dual Row, Dual Layer Pin Header, R/A, TH Type:**

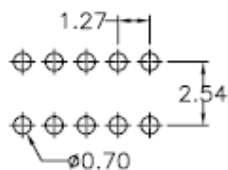
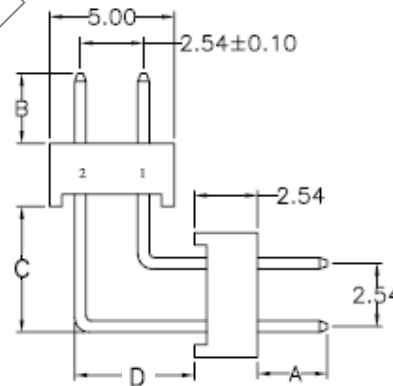
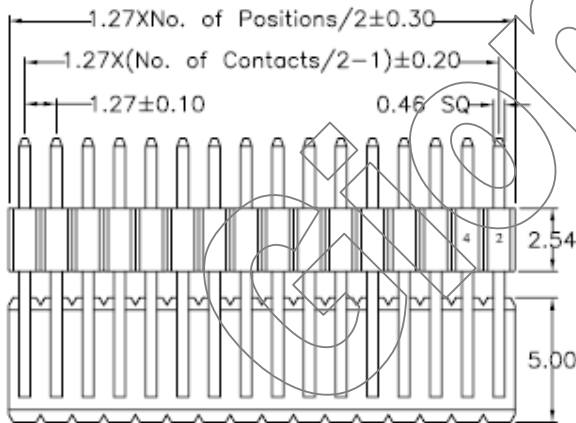
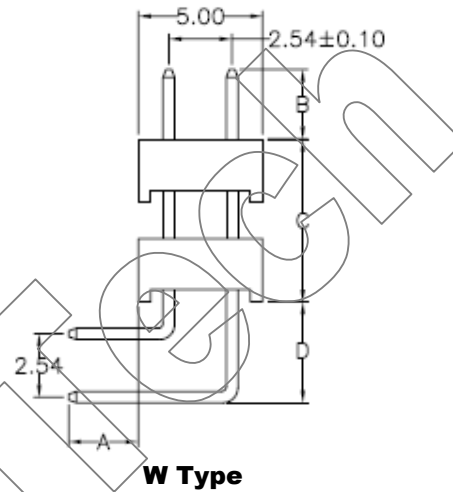
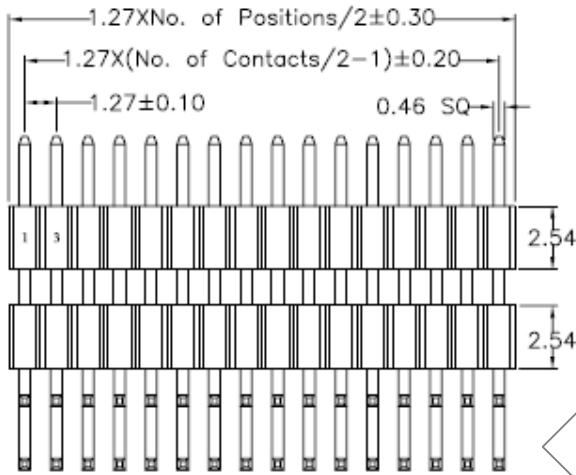


**SPECIFICATIONS**

Pitch:	1.27 mm
Number of contacts:	4 to 100 pins
Current Rating:	2.5A
Operating Temperature:	-55°C ~+105°C
Relative Humidity:	93%, +40°C
Dielectric Withstanding:	300V AC/minute
Contact Resistance:	≤ 20 mΩ/Contact
Insulator Resistance:	≥ 1000 MΩ at 100V
Soldering Temperature:	230°C, 30-60s max. 260°C, 10s max.
Material:	
Base:	PBT/Nylon6T, UL94V-0
Contact Pin:	Copper Alloy
Contact Plating:	Au or Sn Over 50u" Ni

**ROHS Compliance**

**PHD1.27x2.54-2xXAW (A/B/D) (H=2.54) / PHD1.27x2.54-2xXAW1 (A/B/D) (H=2.54)**



Recommended PCB layout