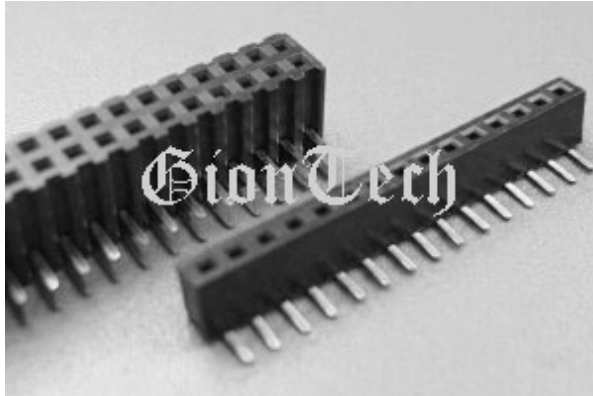


2.0mm Single/Dual Row Female Header, R/A, TH Type:

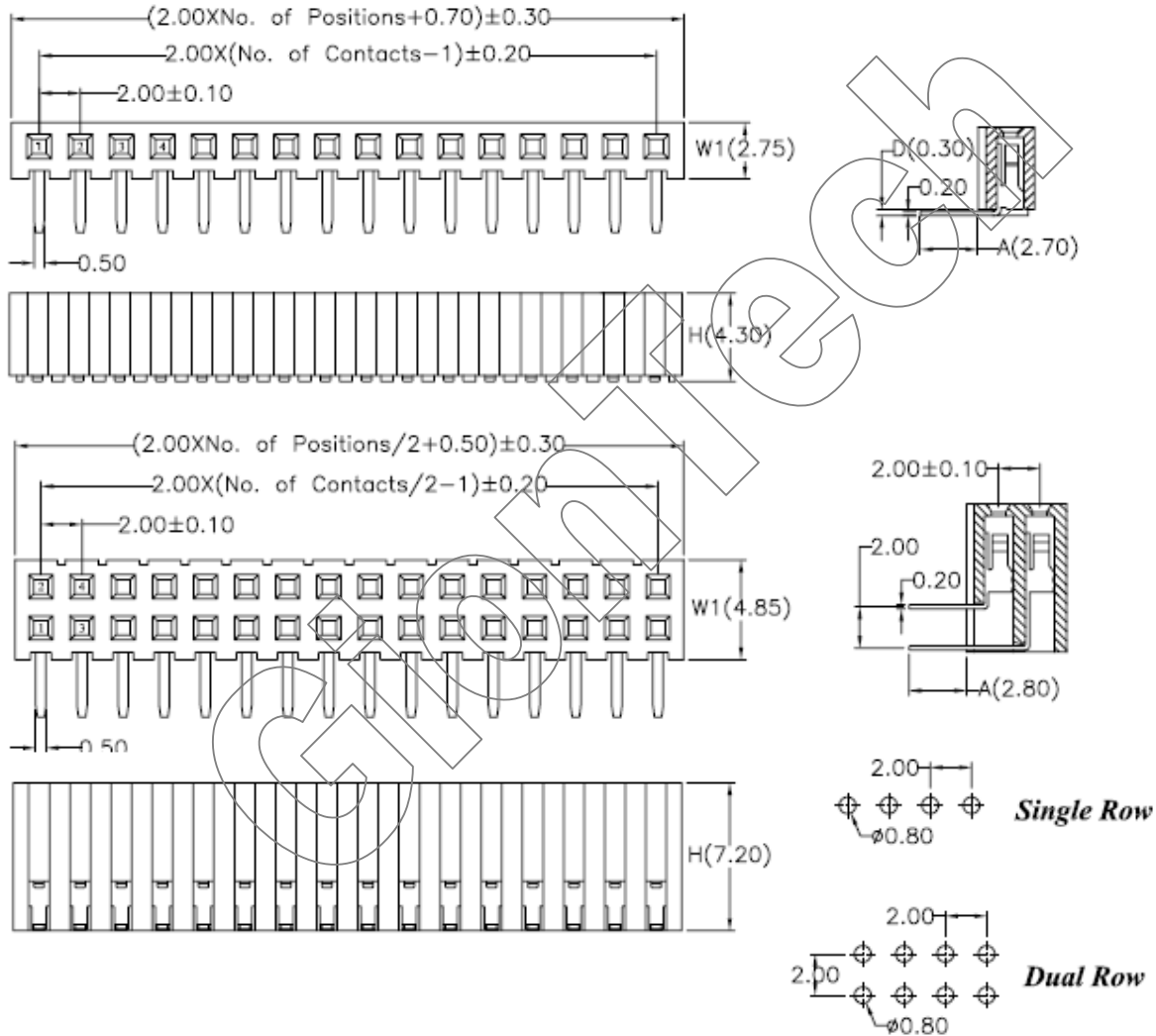


SPECIFICATIONS

Pitch:	2.0 mm
Number of contacts:	2 to 40 pins, 4 to 80 pins
Current Rating:	3.5A
Operating Temperature:	-55°C ~+105°C
Relative Humidity:	93%, +40°C
Dielectric Withstanding:	450V AC/minute
Contact Resistance:	≤ 20 mΩ/Contact
Insulator Resistance:	≥ 1000 MΩ at 100V
Soldering Temperature:	230°C, 30-60s max. 260°C, 10s max.
Material:	
Base:	PBT/Nylon6T, UL94V-0
Contact Pin:	Copper Alloy
Contact Plating:	Au or Sn Over 50u" Ni

ROHS Compliance

PHF2.0-1xXAW (H=4.3) / PHF2.0-2xXAW (H=7.2)



Recommended PCB layout