

SD Card, Normal Type:

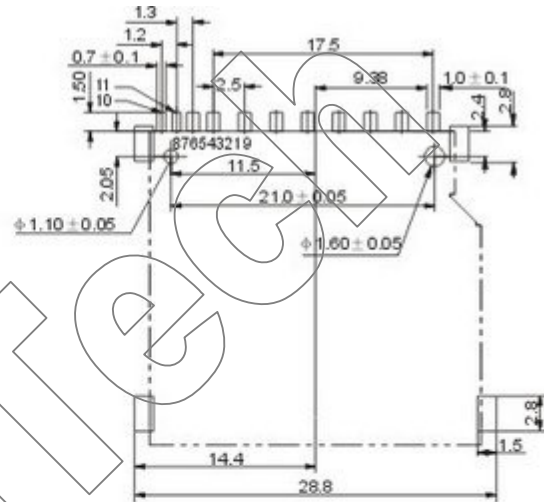
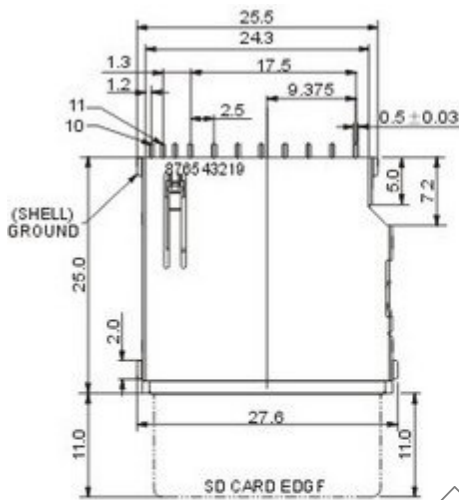


SPECIFICATIONS

Current Rating:	0.5A, AC, DC
Voltage Rating:	100V, AC, DC
Operating Temperature:	-25°C ~+85°C
Relative Humidity:	93%, +40°C
Dielectric Withstanding:	500V AC/minute
Contact Resistance:	≤ 30 mΩ/Contact
Insulator Resistance:	≥ 1000 MΩ at 100V
Material:	
Base:	PBT/ Nylon66, UL94V-0
Contact Pin:	Phosphor Bronze

ROHS Compliance

SD-N-01



Recommended PCB Layout

