

T-Flash Card, Push-Push Type:

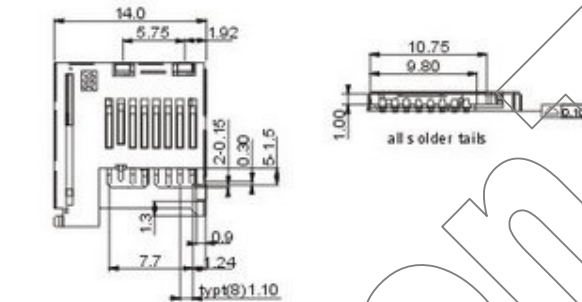
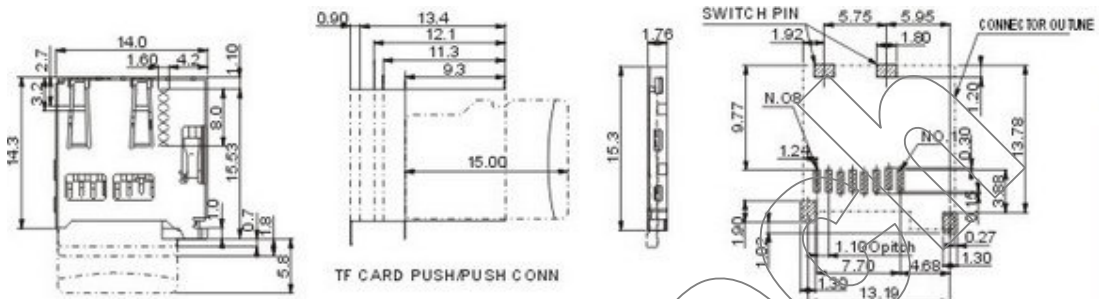


SPECIFICATIONS

Current Rating: 0.5A, AC, DC
 Voltage Rating: 100V, AC, DC
 Operating Temperature: -25°C ~+85°C
 Relative Humidity: 93%, +40°C
 Dielectric Withstanding: 500V AC/minute
 Contact Resistance: ≤ 30 mΩ/Contact
 Insulator Resistance: ≥ 1000 MΩ at 100V
 Material:
 Base: PBT/ Nylon66, UL94V-0
 Contact Pin: Phosphor Bronze

ROHS Compliance

TF-N-PP



Recommended PCB Layout

RKLTION OF SWITCHES TO TRANS-FLASH CARD ATTACHMENT CONDITION

CARD ATTACHMENT CONDITION	CARD DETECT SWITCH
CARD NOT ATTACHED	CLOSED
CARD ATTACHED	OPEN

Pin No	Name	Type	DESCRIPTION
1	DAT2	IO/PP	Date Line (bit2)
2	CD/DAT3	IO/PP	Card Detect Data Line (bit3)
3	CMD	PP	Command Response
4	VDD	S	Supply Voltage
5	CLX	I	Clock
6	VSS	S	Supply Voltage Ground
7	DAT0	IO/PP	Date Line (bit0)
8	DAT1	IO/PP	Date Line (bit1)