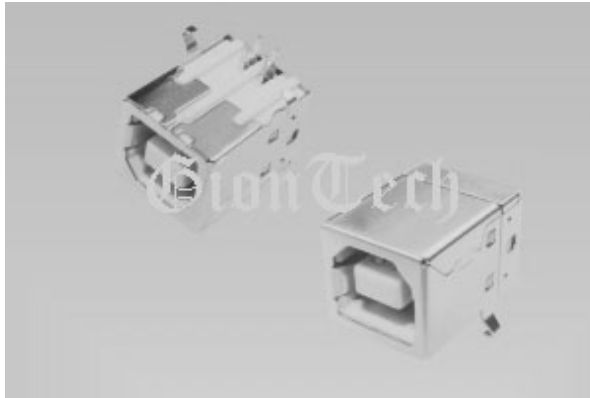


4 Pin Female USB, R/A, TH, B Type with Post:

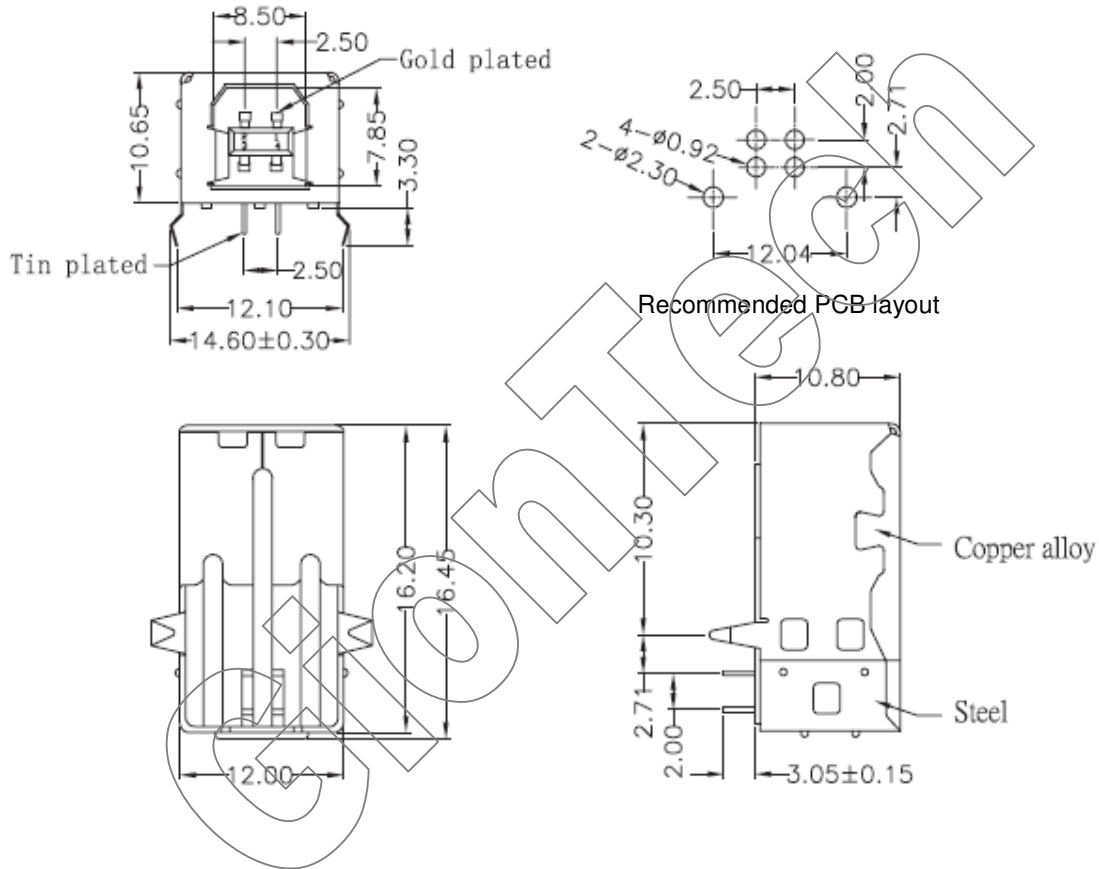


SPECIFICATIONS

| | |
|--------------------------|--------------------------------|
| Power Rating: | 1.0A/30V DC Max. |
| Operating Temperature: | -25°C ~+85°C |
| Relative Humidity: | 93%, +40°C |
| Dielectric Withstanding: | 500V AC/minute |
| Contact Resistance: | ≤ 30 mΩ/Contact |
| Insulator Resistance: | ≥ 100 MΩ at 500V |
| Action Force: | 3N-20N |
| Life Time: | 5000 times |
| Material: | |
| Base: | PBT/Nylon6T, UL94V-0 |
| Contact Pin: | Phosphor Bronze |
| Contact Plating: | Au or Sn Over 50u" Ni |
| Shell: | Copper Alloy, Ni or Tin plated |

ROHS Compliance

UB-4AW-11XAH



- X - 1 (Black Color)
- X - 2 (White Color)